



**XLC-127, XLC-127+,
XLCi-127, XLCi-127+**

**3-Way, High-Output
Compact Line-Array
Element**



Key Features:

- Control with Predictability
- Compact, Lightweight
- Fast, Simple Integrated Rigging
- Bi-Amp or Tri-Amp Operation
- True 3-Way Design
- LAPS Aiming Software
- 120° Horizontal Full-Range Line-Array
- DH2T-16, or ND6-16 HF Options
- Quik-Rig™ or Fixed Installation Rigging



General Description:

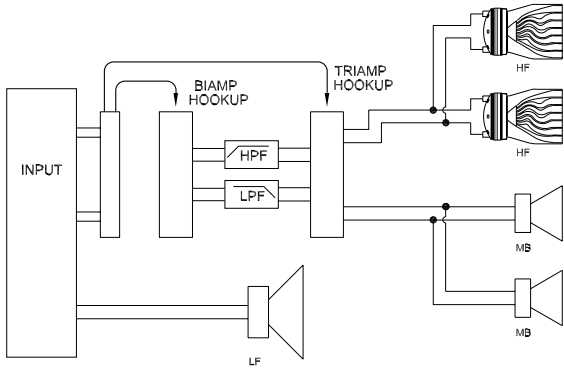
EV engineers have defined a new group of compact line array elements, the X^{LC}. It is comprised of three components, X^{LC} 127 full range, X^{LC} 127+ full range with ND6-16 large format high frequency transducers and the X^{LC} 118 sub cabinet. The X^{LC} 127 is a 3-way design utilizing a 12" vented LF, 2 x 6.5" MB transducers on a 120° horizontal waveguide, and 2 x DH2T-16 HF transducers combining through a Hydra to a 120° x 7° waveguide. The X^{LC} 127 can be used in tri-amp mode, or bi-amp 3-way using the sophisticated internal passive MB to HF network. The asymmetrical box design was optimized to produce a symmetrical polar pattern with a uniform power response. Designed for use in groups of four or more the X^{LC} 127 delivers predictability and control. Combined with an advanced integrated rigging system, one-man installations are a reality. The XLC 127 systems can also be ground stacked. Ideal for applications ranging from live reinforcement to performing arts venues to houses of worship, to sports facilities, X^{LC} gives you the power to make it happen. The X^{LC} 127+ uses two ND6-16, 3 in., high-output, neodymium compression drivers, replacing the standard DH2T-16 drivers. The X^{LC} 127+ is recommended when performance requirements demand higher output. The ND6-16 is also used in EV's X-Array and X-Line systems creating a family of identically voiced loudspeakers for any mobile or permanent sound application. X^{LC} can deliver unprecedented performance, particularly in difficult acoustical environments. LAPS modeling software provides quick results for array configurations and rigging information.

Technical Specifications:

| | XLC-127 | XLC-127+ |
|--------------------------------------|--|-----------------------|
| Freq. Response ¹ (-3 dB): | 65 Hz-18 kHz | |
| Freq. Range ¹ (-10 dB): | 50 Hz-20 kHz | |
| Max Calculated SPL ¹ : | 135 dB Cont., 141 dB Pk | |
| Horizontal Coverage: | 120° | |
| Vertical Coverage: | Array Dependant, Software Definable | |
| Rigging (Both Types): | Fully Captive Aluminum, 1° increments, 16 elements with 8 to 1 Safety Factor | |
| LF Power Handling: | 300W Cont., 1200W Peak | |
| MB Power Handling: | 200W Cont., 800W Peak | |
| HF Power Handling: | 80W Cont., 320W Peak | 150W Cont., 600W Peak |
| Biamp MB/HF Power Handling: | 200W Cont., 800W Peak | |
| Sensitivity(LF/MB/HF) ¹ : | 95/101/110 dB | |
| LF to MB crossover Freq: | 500 Hz | |
| MB to HF crossover Freq: | 1600 Hz (Passive or Active) | |
| LF Passband: | 1 x 12" DL12ST, 8 ohms | |
| Recommended Amplifier: | EV P2000 | |
| MB Passband: | 2 x 6.5" DM65, 8 ohms, | |
| Recommended Amplifier: | EV P2000 | |
| HF Passband: | 2 x DH2T-16, 8 ohms | 2 x ND6-16, 8 ohms, |
| Recommended Amplifier: | EV P2000 | EV P2000 |
| Biamp MB/HF Passband: | 8 ohms, | |
| Recommended Amplifier: | EV P2000 | |
| Connectors: | 2 x NL8 | |
| Enclosure Material: | 13-ply birch plywood w/Futura | |
| Grille: | Zinc plated steel with powdercoat paint | |
| Environmental Spec: | IEC 529 IP24, MIL 810 | |
| Quik-Rig™ Dim (HxWxD): | 14.25" x 39" x 22.5" (362 x 990 x 572 mm) | |
| Install Dim (HxWxD): | 14.25" x 36.5" x 22.5" (362 x 927 x 572 mm) | |
| Net Weight (Quik-Rig™): | 116 lbs (52.7 kg) | 111 lbs (50.4 kg) |
| (Install): | 111 lbs (50.4 kg) | 106 lbs (48.1 kg) |
| Shipping Weight (Quik-Rig™): | 121 lbs (55.0 kg) | 116 lbs (52.7 kg) |
| (Install): | 116 lbs (52.7 kg) | 111 lbs (50.4 kg) |

¹ Full Space Measurement of 4 Elements.

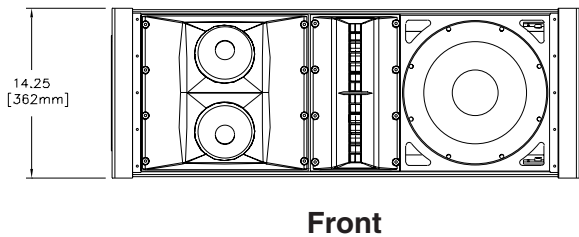
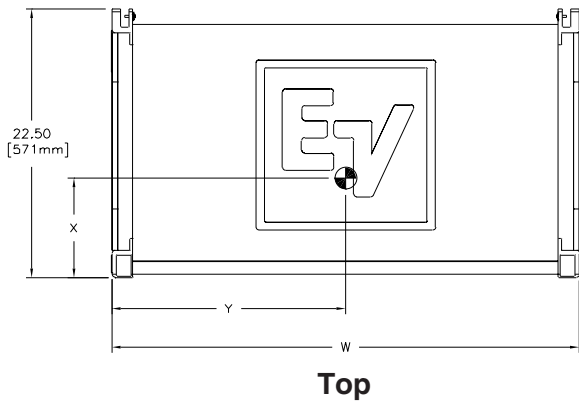
Block Diagram:



Connection Chart
(Pins 1 Pass Through)

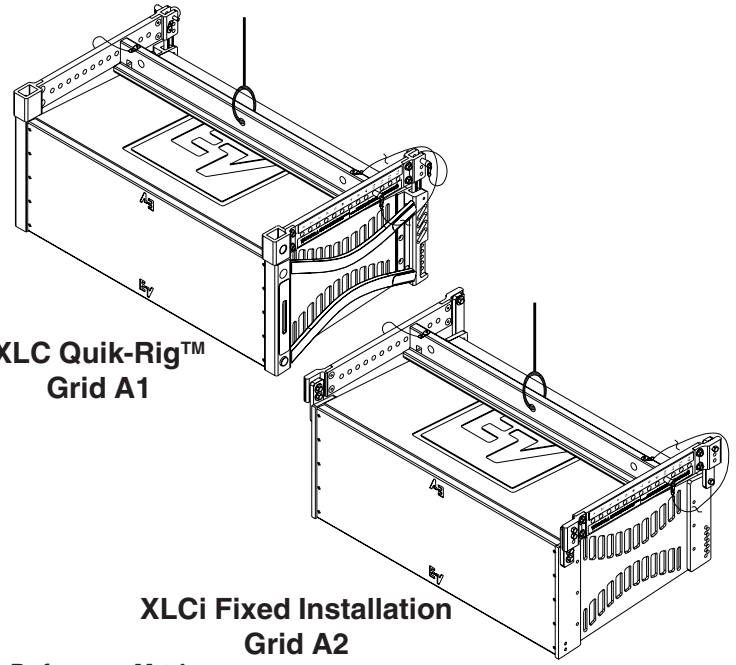
| Triamp | Biamp |
|------------|---------------------|
| LF: Pins 2 | LF: Pins 2 |
| MB: Pins 3 | MB/HF: Pins 3 |
| HF: Pins 4 | Pins 4 Pass Through |

Dimension Drawings (inches/metric):



Note: Quik-Rig™ Loudspeaker shown. All dimensions for Install version equal to Quik-Rig™ version except where shown in chart.

Grid Drawing:

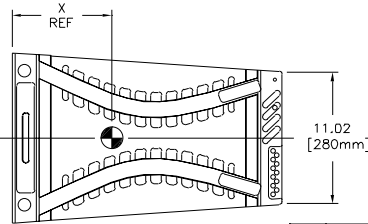


Performance Match:

- XLC-118 - Subwoofer Loudspeaker System
- XLC-118i - Subwoofer Install Loudspeaker System
- P3000 - Precision Series™ Power Amplifier
- P2000 - Precision Series™ Power Amplifier
- P3000RL - Precision Series™ Remote Control Power Amplifier
- P1200RL - Precision Series™ Remote Control Power Amplifier
- Dx38 - Digital Sound System Controller
- DN9848 - Digital Sound Controller
- XLC-127 Cover - Protective Cover for Transporting
- XCOV4 Cover - Protective Cover Fits 4 XLC-127's for Transporting
- XFD-127 - Front Dolly for Rigging and Transporting
- XBD - 4-Tall Bottom Dolly for Rigging and Transporting
- XLC Series Quik-Rig™ Grid A1 - Grid for Hanging XLC Line-Arrays
- XLCi Series Fixed Installation Grid A2 - Grid for Hanging XLCi Line-Arrays

XLC-127/XLC-127+ Part Numbers:

- XLC-127 - 301282-001
- XLC-127+ - 301302-001
- XLCi-127 - 301386-001
- XLCi-127+ - 301387-001



Dimension Chart

| | XLC-127 | XLC-127+ | XLCi-127 | XLCi-127+ |
|----|-------------------|-------------------|-------------------|-------------------|
| W: | 39.00" (991mm) | 39.00" (991mm) | 36.50" (927mm) | 36.50" (927mm) |
| X: | 8.31" (211mm) | 7.94" (202mm) | 8.31" (211mm) | 7.94" (202mm) |
| Y: | 19.44" (494mm) | 19.56" (497mm) | 18.19" (462mm) | 18.31" (465mm) |



12000 Portland Avenue South, Burnsville, MN 55337
 Phone: 952/884-4051, Fax: 952/884-0043
www.electrovoice.com
 © Telex Communications, Inc. 3/2003
 Part Number 38110-144 Rev D

U.S.A. and Canada only. For customer orders, contact Customer Service at:
800/392-3497 Fax: 800/955-6831
 Europe, Africa, and Middle East only. For customer orders, contact Customer Service at:
+ 49 9421-706 0 Fax: + 49 9421-706 265
 Other International locations. For customer orders, contact Customer Service at:
+ 1 952 884-4051 Fax: + 1 952 736-4212
 For warranty repair or service information, contact the Service Repair department at:
800/685-2606
 For technical assistance, contact Technical Support at: **866/78AUDIO**
 Specifications subject to change without notice.