



Electro-Voice



UHF Wireless Microphone System

Clean channel. Clear sound. Clever wireless.™



RE-2 UHF Receiver

Features:

- One touch Auto-ClearScan
- Programmable in 25kHz steps across 28 MHz operating bandwidth
- Backlit LCD displays the Group, Channel, Frequency, transmitter battery level, diversity operation, and RF and Audio signal level meters
- Balanced XLR audio output for Microphone or Line level signals and a 1/4 inch line level jack
- Fourth generation Posi-phase™ diversity and advanced audio circuits
- Unique "Guitar" setting
- Detachable 1/4 wave antennas

Benefits:

- Finds the clearest channel in the clearest group in seconds
- 1112 possible frequencies so it will always find a clear channel
- Professional systems costing twice as much don't provide this much information
- Compatible with any application
- Provide maximum range and professional sound quality
- Turns a standard receiver/bodypack into an optimized guitar wireless system
- Flexibility — use with optional rackmount kits, antenna distributors and cables for permanent installations



RE-2 UHF Transmitter

Features:

- Unique "smart" battery
- LCD Displays Group and Channel, Frequency, or Battery Level
- Low battery LED
- One On/Off button that also acts as a mute
- On/Off button can be disabled

Benefits:

- Impossible to put the battery in wrong, great for quick changes on a dark stage
- All the info you need at a glance
- Tells you when to change the battery
- Great for pauses in presentations and worship services
- Prevents accidental turnoffs during a performance

RE-2 UHF Handheld

Features:

- Available with three different microphone elements
- N/DYM 267a Dynamic element
- RE 410 Condenser
- NDYM® 767a Dynamic premium vocal microphone with VOB™ (Vocal-Optimized-Bass)
- Internal 1/2 wave antenna

Benefits:

- Fits the vocalist's style and environment
- Classic dynamic sound and performance in applications ranging from Rock and Roll to spoken word
- Low handling noise, crisp condenser sound and off mic performance. Perfect for schools, houses of worship and any other multitasking application.
- Excellent sound and gain-before-feedback for high SPL stages
- Excellent range and it stays out of harms way



RE-2 UHF Bodypack

Features:

- Cell phone style beltclip
- Optional pouches available
- A wide selection of lapel and headworn microphone accessories are available

Benefits:

- Offers quick and easy attachment
- For use under costumes or for more vigorous applications like aerobics
- So you can select the microphone suited to your application

SPECIFICATIONS

RE-2 RECEIVER

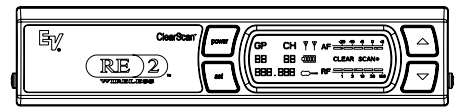
Receiver Type	Synthesized PLL
Frequency Range (RF)	A Band 648 – 676 MHz (TV Channels 43 - 48) G Band 614 – 642 MHz (TV Channels 38 - 42)
Number of Channels	1112 possible channels Programmable in 25 kHz steps
Modulation	+/- 40 kHz
Diversity	Digital Posi-Phase ~ True Diversity
RF Sensitivity	< 1.0 mV for 12 dB SINAD
Image Rejection	> 60 dB
Squelch	Tone Code plus Amplitude
Ultimate Quieting	> 100 dB
FCC Certification	Approved under Part 15
Power Requirements	12 V AC/DC 300 mA
Antennas	Detachable 1/4 wave
Dimensions	1.72" H x 7.50" W x 5.9" D 43.69 cm H x 190.50 mm W x 150 mm D

AUDIO PARAMETERS

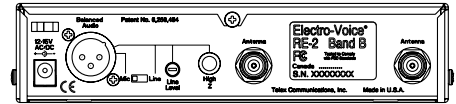
Frequency Response	50 – 15 kHz +/- 2 dB
Balanced Output (max @ 40 kHz deviation)	
Mic Position	-10 dBV
Line Position	Adjustable 10mV-2V RMS
Unbalanced Output	Adjustable 10 mV-1V RMS
Distortion	<1.0%, 0.5% typical (ref 1 kHz, 40 kHz deviat)
Signal-to-Noise Ratio	>100 dB A Weighted
Dynamic Range	>100 dB

TRANSMITTERS, BODYPACK (BPU-2) AND HANDHELD (HTU-2)

Radiated Output	30 mW typical (E2 band 10mW max)
Microphone Head Electro-Voice 767a	N/D 767a Supercardioid N/DYM Dynamic
Microphone Head Electro-Voice 267a	N/D 267a Versatile Cardioid Dynamic
Microphone Head Electro-Voice RE 410	RE 410 Classic Cardioid Condenser
Standard Lavalier Microphone	EV RE 90Tx MicroMini ~ Omni-Directional Condenser
TA4 Connector Wiring	Pin 1: Ground; Pin 2 Mic Input; Pin 3: +5V bias; Pin 4: +5V bias through a 3k Ω resistor
Audio Gain Adjustment	40 dB (handheld 26 dB)
Power Requirements	9 Volt Alkaline Battery
Battery Life (Typical)	> 8 hours with 9-Volt Alkaline Typical
Bodypack Antenna	Flexible external 1/4 wave
Handheld Antenna	Internal 1/2 wave
Dimensions (Handheld)	9.4 in. (24.0 cm) Long
Dimensions (Bodypack)	3.8 in. H x 2.6 in. W x 0.92 in. D 96.5 mm H x 66 mm W x 23.4 mm D

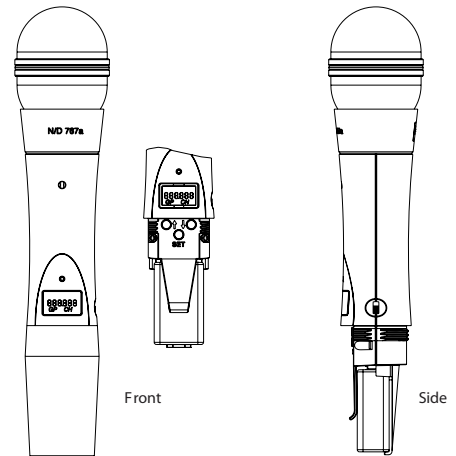


Front



Back

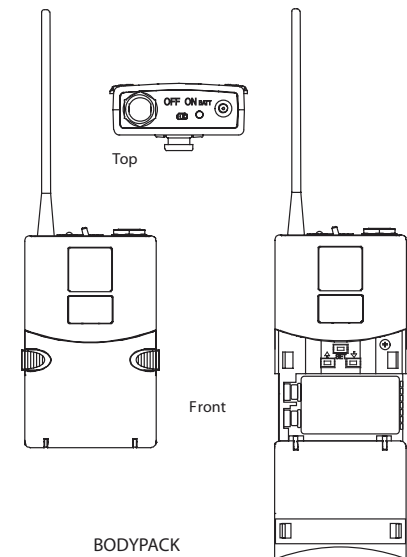
RECEIVER



Front

Side

HANDHELD



Top

Front

BODYPACK



12000 Portland Avenue South
Burnsville, Minnesota 55337
1-800-392-3497
www.electrovoice.com